

NOVY®

USER MANUAL

BUILD-IN HOOD

NOVY nv reserves the right to modify construction and prices at any time without previous notice.

NOVY nv
Noordlaan 6
B - 8520 KUURNE
Belgium

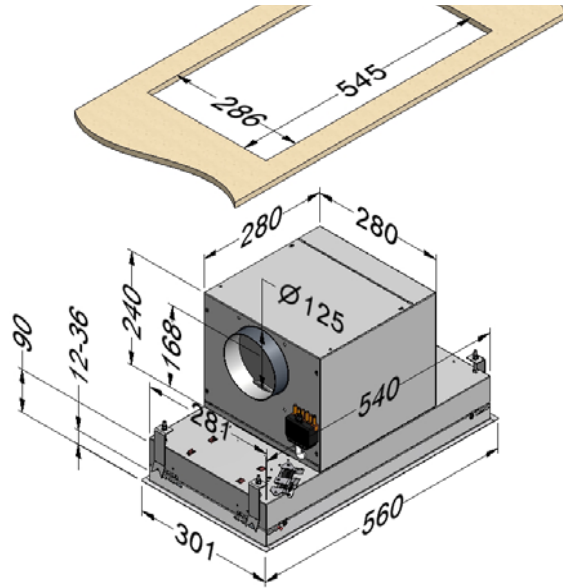
Tel. 00 32 56 36.51.00
Fax 00 32 56 35.32.51
E-mail : novy@novy.be
www.novy.be

juni '09

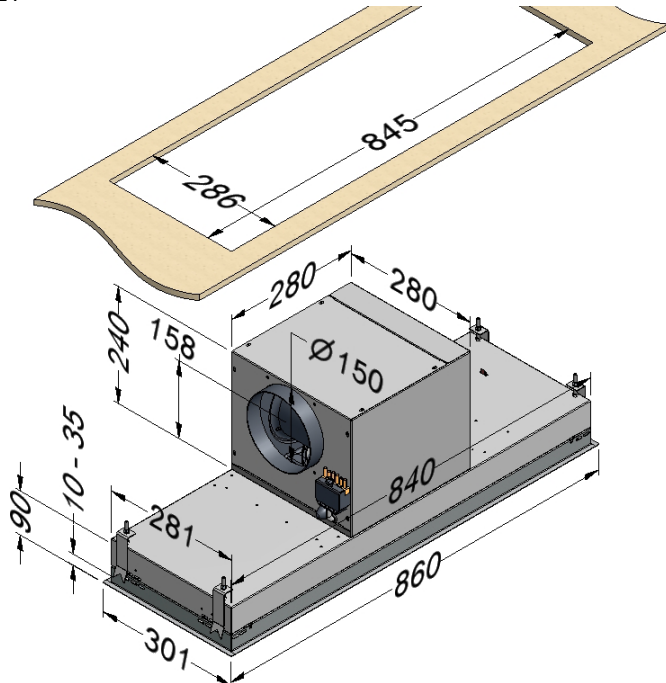
810 _{/1}	STAINLESS STEEL	60 cm
811	WHITE	60 cm
820 _{/1}	STAINLESS STEEL	90 cm
821	WHITE	90 cm

Dimensions

810/1 – 811



820/1 – 821



Dear client,

The Novy hood you have purchased is built to the highest standards with high quality materials (stainless steel 304), attention for detail and immaculate finishing.

The cooker hood is equipped with Novy peripheral extraction and a Novy silencer.

Peripheral extraction covers the whole cooking surface and guarantees an efficient extraction of your cooking odours and fumes.

The Novy silencer insures the renowned Novy silence thus creating a pleasant cooking environment.

Index

Advice	4
Installation	5
Air flow	5
Safety	5
Operation	6
Switch on – switch off	6
Speed levels	6
Illumination	6
Remote control	7
Maintenance	8
Maintenance of the filters	8
Maintenance of the hood:	8
Replacing the lamps	9
Dimensions	10

Advice

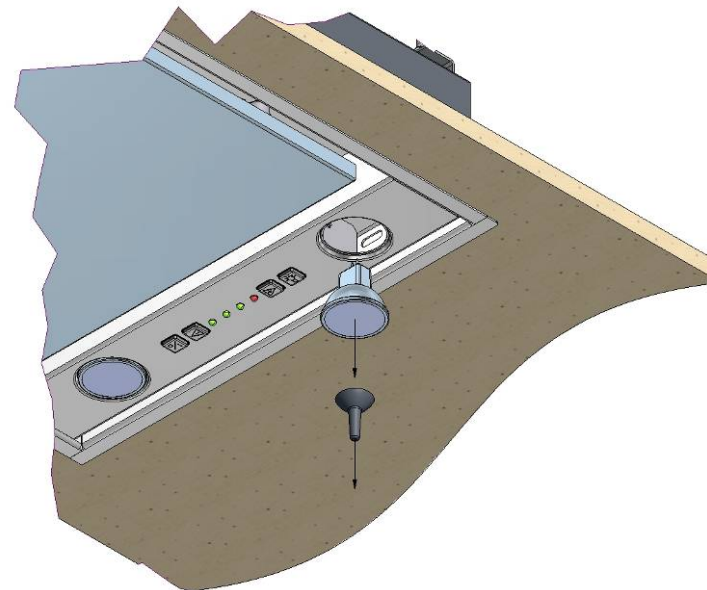
- **Please read this manual carefully before use. It contains information about operation, safety and maintenance of this appliance you need to be aware of.**
- **The installation manual is for the fitter who will install the appliance for you.**
- **It is recommended to have the installation done by a professional. Any damage due to faulty or unprofessional installation relieves the manufacturer of any form of responsibility.**
- **A Novy hood installed without a Novy motor (or vice versa) loses all factory warranty.**
- **This hood is for domestic use only.**
- **Please keep this manual and pass it on to future users.**
- **In case of technical problems please contact Novy Service Department:
Tel. + 32 (0) 56 365 102
e-mail: novy@novy.be
Please supply us with the model number of your hood. The model number can be found on the engraved plaque behind the filter.
You can make a note of the number here:**
- **For all remarks or questions which this manual does answer please contact our Customer Service:
Tel. + 32 (0) 56 365 101
e-mail: novy@novy.be**

Replacing the lamps

Please allow the lights to cool down sufficiently before touching them. Cover and protect delicate surfaces underneath the hood when changing lamps.
The hood needs to be disconnected from the current before proceeding.

Replacing the lamps:

- attach the suction device to the lamp
- pull towards you
- put a new lamp in place using the same suction device



The build-in hood has 2 halogen lights type 12V/20W/Ø35/GU4/38° (reference 7401.029).
Total consumption including lights is 210 W for 810/1 - 811, 380 W for 820/1 - 821.

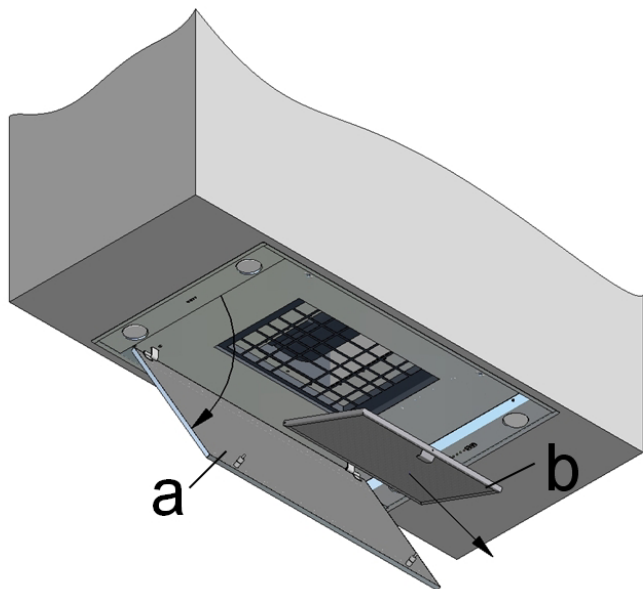
Maintenance

Maintenance of the filters

The hood contains one metal filter (b) which should be cleaned twice a month.

Access to the filter:

- take hold of the right and left side of the underplate (a) and pull down simultaneously
- you now see the filter
- remove the filter by taking hold of its hook and pulling down.



Cleaning the filters:

- in the dishwasher
- manually: submerge in a hot solution of water and a liquid detergent. Rinse and allow to dry completely

Important ! The previous instructions need to be followed. If not an increased fire hazard may occur.

Maintenance of the hood:

Please allow the lights to cool down sufficiently before touching the hood.

Use a soft, wet cloth and a mild detergent to clean the hood. Never use aggressive, abrasive detergents or sponges.

The stainless steel surfaces can be treated with Novy Inoxcleaner (906.060) after cleaning. Bleach will damage stainless steel.

Installation

This build-in hood can be mounted in a deep cupboard, a chimney breast, a column, etc.

Minimum installation height above cooker: 65 cm for gas, 60 cm for electric en 75 cm for induction.

BEWARE!

- The hood has sharp edges. Wear protective gloves during installation.

The hood has an exhaust of \varnothing 125 mm (810 – 811) or \varnothing 150 mm (820/1 – 821) which can be directed to the right, the left, the front the back or upward. The motor can equally be dissociated for internal placement. The motor has a capacity of 370 m³/h (810 – 811) or 850 m³/h (820/1 – 821).

Fumes are evacuated through the filters via peripheral extraction. NOVY peripheral extraction covers the complete cooking surface and therefore guarantees an efficient evacuation of all your cooking fumes.

Air flow

When using a hood sufficient air flow is necessary. However large your kitchen may be, there is only so much air available in that space. Opening a door or window close to the hood insures a good quality of air flow.

Insufficient air flow will impair the extraction efficiency of your hood immensely.

Insufficient air flow can cause reflux from other air ducts such as chimneys or combustion appliances.

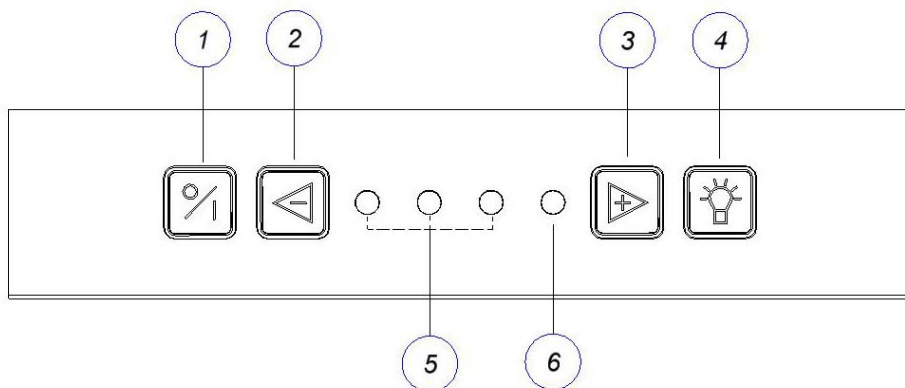
When using a cooker hood and appliances using energy other than electrical in the same space, the pressure in the room may not surpass 4 Pa (= 0.04mBar).

Safety

When using your hood please take note of the following:

- Deep fat frying under the hood is only allowed under constant supervision
- Under no circumstances is it allowed to flambé under the hood
- In case of fire always switch off the hood
- Never extinguish burning fat or oil with water. Cover the pot with a well fitting lid or a burn-blanket
- When cooking make sure pots are positioned under the hood surface

Operation



Switch on – switch off

Switch on:

To switch the motor on push button ①.

The hood will always resume the level it was previously switched off in.

Switch off with 10 minute delay:

To activate the delayed switch off mode press button ① once. The first green LED blinks, the other LED's remain lit up according to the level in use. After 10 minutes motor and illumination switch off automatically.

Switch off without delay:

Push button ① twice.

Speed levels

Three green LED's ⑤ indicate level 1 to 3, one red LED ⑥ indicates the level 'POWER'.

To decrease the speed level push button ②.

To increase the speed level push button ③.

'POWER' is only used in case of excessive formation of smoke, fumes or odours. Taking into account the large volume of air which is extracted from the room at this level, it's use should be limited.

'POWER' automatically reverts to level 3 after 20 minutes.

Illumination

To activate the lights press button ④. The lights will switch on at full power.

Lighting can be activated independently from the motor.

Dimming:

When the lights are activated it is possible to dim the lights by holding button ④ pressed.



A self restoring thermocontact switches the motor off in case of overheating. The motor is ready for use when cooled off sufficiently.

Remote control

The remote control is factory set and ready for use.

Only in case of interference with or from other remote control operated devices in your area do you need to reprogram the remote control.

Programming of the remote control:

- ① - the hood needs to be connected to the current
 - slide down the battery cover in order to have access to the DIP-switches (small white switches)
 - adjust DIP-switch 1 to 9 at random
 - adjust DIP-switch 10 in the "OFF" position (down)
- ② - press  +  simultaneously on the hood for 10 seconds, until the second green LED blinks.
- ③ - press once on light switch of the remote control to confirm reprogramming.
 - slide the battery cover back in place

The remote control and hood are ready for use.

You can reprogram at any time by following the instructions above.

In case of current failure the programming is not lost thanks to EEPROM memory.

